

- a - Ocular
- b - Optic or objective
- c - Slide rack
- d - Stage
- e - IRIS DIAPHRAGM
- f - Substage light source
- g - Coarse and fine adjustment

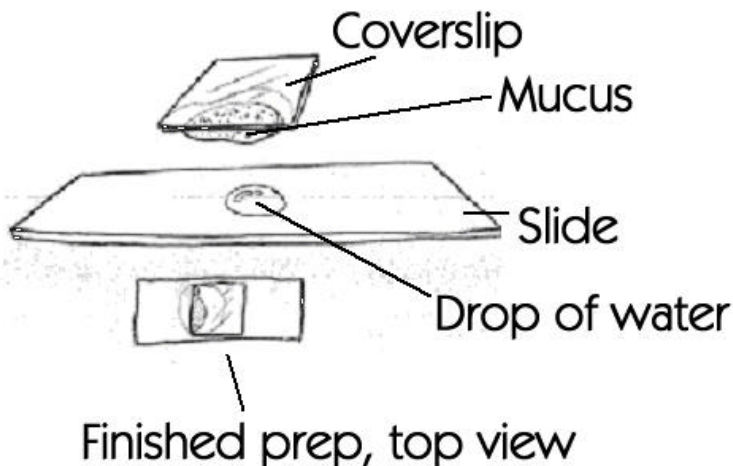
*POWER* - the number of times an object will be magnified in a field.  
*POWER* is a combination (multiplied) of the ocular and optic power. Most scanning for parasites is done at 40-100X combined.  
 For example - 10x ocular with 10x optic = 100x  
 A 4x ocular and a 10x optic = 40X

**CLOSE THE IRIS DIAPHRAGM** to increase contrast, and hopefully see a parasite.  
**USE THE LOWEST POWER** and look for motion. Have a good book with pictures handy.

*DO NOT USE* a microscope in bright light. It will wash out the field. For field studies, you will probably end up putting a heavy bath towel over your head and scope while using outdoors.

Prep your slide by placing a drop of pond water on it in the center.

Scrape a fish with the coverslip and transfer the drop of mucus to the slide.  
 Compress the mucus between the coverslip and the slide, on the drop of water.





# Fast Fish Medicines PondRx.com

Visit PondRx.com for more articles!



When fish are sick, you can't wait for the guy in the garage to get around to shipping your meds. We ship fast and we have what you need for fish, sick or healthy! Economical fish foods, pond supplies, water conditioners, and more! The difference is this: "You name it, but we might not have it!" Because we don't sell stuff that doesn't work! So there's a lot of items you'll never see on Pondrx.com Never have to worry about buying useless junk.

## 706 374 3037

### For bacterial sores:

Warmer water, salt at 0.3%, medicated food like MediKoi and injections would be recommended. Tricide Neo can be sprayed on. PondRx stocks all these remedies, ready for your needs, including heaters, and water test kits to make sure the water is good enough for healing!

### For flukes:

Pondrx.com recommends the use of either Supaverm or Prazi - both of which are filter safe and easy to use. Malathion can also be used. We have a book that describes that. Supaverm kills goldfish but Prazi does not. You get explicit instructions on the use of these medicines with your order.

### For lethargy, clamped fins:

First, test your water pH and nitrogen numbers. We have test kits that are cheap and easy to use. If your water tests well, salt to 0.3% and send us a fish specimen and we will give you a free diagnosis!

### For rapid losses:

Water testing first, then salt to 0.3% and call us! We will accept samples perform wet mounts, and tell you what's wrong at no cost!

### For Costia:

Sometimes Costia is best treated by removing the Koi and treating them with Proform C in a holding tank, then treating the pond with double dose Potassium. We sell both with clear instructions.

Visit PondRx.com for more articles!

#### Volume estimate:

Length x Width x Depth (all in inches) divided by 231 gives US Gallons.

Salt 0.3%: Three pounds of salt per 100 gallons (No trace minerals or YPS, salt should be pure)

When raising temperature, do not raise it more than one degree per hour!

Make sure your pH is always ABOVE 7.0

Water changes at 10% per week are highly, highly recommended! Or change 20% every 2 weeks.

### Other Sites Of Service:

#### [Koivet.com](http://Koivet.com)

Message board, chat area, and hundreds of articles on fish health for you to read and learn from.

#### [PondCrisis.com](http://PondCrisis.com)

Step by step help for sick fish, this site breaks a pond crisis down into a simple, twenty step diagnostic process.

#### [KoiCrisis.com](http://KoiCrisis.com)

Organized in sections about medicines, symptoms, water quality and more, this is a great fish health site.

#### [KoiGallery.com](http://KoiGallery.com)

Show off your fish, simply create an album, and upload your best Koi images!

## For Rush Service Call 706 374 3037